



METAL LOCK NUTS BRASS NPT

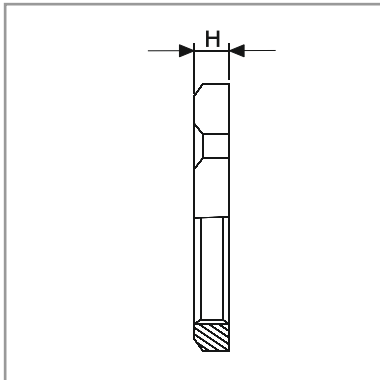
TECHNICAL DETAILS

Material


Hexagonal locknut : Brass with nickel plated
 Connection thread : NPT ANSI B1.20.1
 Certificates : ROHS, CE

Properties

For tightening of cable glands



NPT THREAD LOCK NUTS

AG Thread	Code	H mm	 mm
1/4"	ONBL 00	3,5	19
3/8"	ONBL 01	3,5	24
1/2"	ONBL 02	4,75	27
3/4" ,	ONBL 03	4,75	34
1"	ONBL 04	4,75	40
1 1/4"	ONBL 05	4,75	50
1 1/2"	ONBL 06	5	60
2"	ONBL 07	5	70
2 1/2"	ONBL 09	10	80
3"	ONBL 10	10	100
4"	ONBL 11	10	130

PRODUCT RANGE OVERVIEW